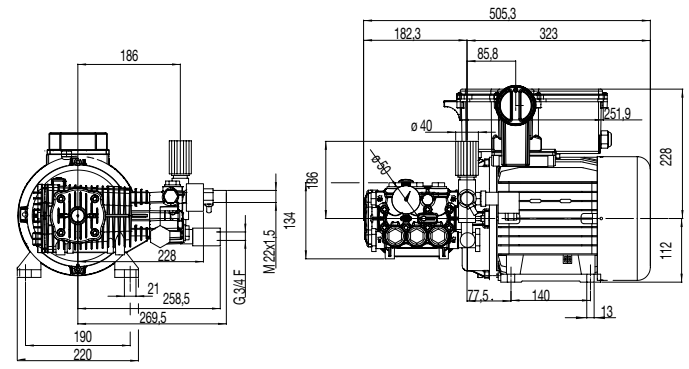
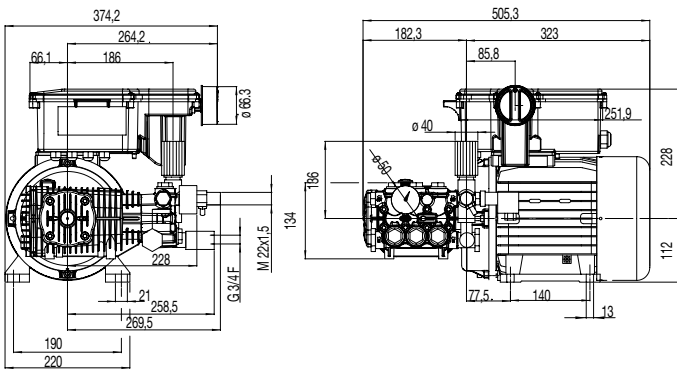


MTP RW 1400 RPM

MTP RW PREMIUM

Motor pump units with electric motor
 Gruppi motopompa con motore elettrico
 Grupos motobomba con motor eléctrico


BASIC VERSION
TS VERSION

CONSTRUCTION FEATURES

- All parts in contact with the pumped liquid are in stainless steel and brass without the use of plastics for important parts that are destined to give long service. The suction and delivery valves are in stainless steel for high fluid-pressure efficiency.
- Head in brass alloy.
- Extremely reliable, integrated unloader valve with device for elimination of pump pressure in by-pass conditions.
- Suction of detergent.
- Pressure gauge.
- Electric motor with thermal cutout.
- Heavy duty 4 poles electric motor (1400 rpm) with external anti corrosion protection.
- Exclusive coupling system between pump and motor for heavy duty use.
- Timed **TotalStop**.
- Simple rotating on-off switch and 6 m electric cable.
- On-off switch with contactor.

CARATTERISTICHE COSTRUTTIVE

- Le parti a contatto del liquido pompato sono tutte in acciaio inossidabile e ottone con assenza dell'impiego di materiale plastico nelle parti importanti e destinate a durare. Le valvole aspirazione e mandata sono in acciaio inox ad alto rendimento fluidodinamico.
- Testata in lega d'ottone.
- Valvola regolazione integrata molto affidabile con dispositivo annullamento della pressione in pompa in condizioni di by-pass.
- Aspirazione detergente.
- Manometro pressione.
- Motore elettrico con protezione termica.
- Motore a 4 poli (1400 giri/min) ampiamente sovradimensionato e protetto da verniciatura.
- Esclusivo sistema di accoppiamento tra pompa e motore per uso intensivo.
- TotalStop** temporizzato.
- Interruttore rotativo e cavo elettrico (6 m).
- Quadro elettrico con teleruttore.

CARACTERÍSTICAS DE CONSTRUCCIÓN

- Todas las partes en contacto con el líquido bombeado están realizadas con acero inoxidable y latón, con ausencia de material plástico en las partes importantes destinadas a tener una larga duración. Las válvulas de aspiración y de envío son de acero inoxidable con alto rendimiento fluido - dinámico
- Cabezal con aleación de latón.
- Válvula de regulación integrada muy fiable equipada con dispositivo para la anulación de la presión en la bomba en condiciones de by-pass.
- Aspiración detergente.
- Indicador de presión.
- Motor eléctrico con protección térmica.
- Motor de 4 polos (1400 rev/min) ampliamente sobredimensionado y protegido por barnizado.
- Exclusivo sistema de acoplamiento entre bomba y motor, apto para empleo intensivo.
- TotalStop** temporizado.
- Interruptor giratorio y cable eléctrico de 6 m.
- Cuadro eléctrico con teleruptor.

| Code Codice Código | Model Modello Modelo | El. Box + TS scat. elett. + TS Caja Eléct. +TS | R.P.M. Giri/min Rev/min | Flow | | Pressure | | | Voltage | | HP | Weight | |
|--------------------------|----------------------------|--|-------------------------------|-------|------------|----------|------|------|---------|---------|------|--------|-------|
| | | | | l/min | U.S.g.p.m. | bar | psi | Mpa | Hz | V | | kg | lb |
| 7301 0652 | MTP RW 6.13 +VA | | 1400 | 13,0 | 3,4 | 190 | 2755 | 19,0 | 50 | 400 - 3 | 6,0 | 46,0 | 101,4 |
| 7301 0609 | MTP RW 6.15 +VA | | 1400 | 15,0 | 4,0 | 170 | 2465 | 17,0 | 50 | 400 - 3 | 6,0 | 46,0 | 101,4 |
| 7301 0653 | MTP RW 8.15 +VA | | 1400 | 15,0 | 4,0 | 210 | 3045 | 21,0 | 50 | 400 - 3 | 8,0 | 47,0 | 130,6 |
| 7301 0654 | MTP RW 8.21 +VA | | 1400 | 21,0 | 5,6 | 160 | 2320 | 16,0 | 50 | 400 - 3 | 8,0 | 47,0 | 103,6 |
| 7301 0655 | MTP RW 9.15 +VA | | 1400 | 15,0 | 4,0 | 230 | 3335 | 23,0 | 50 | 400 - 3 | 9,0 | 48,0 | 105,8 |
| 7301 0656 | MTP RW 9.21 +VA | | 1400 | 21,0 | 5,6 | 180 | 2610 | 18,0 | 50 | 400 - 3 | 9,0 | 48,0 | 105,8 |
| 7301 0657 | MTP RW 10.21 +VA | | 1400 | 21,0 | 5,6 | 200 | 2900 | 20,0 | 50 | 400 - 3 | 10,0 | 49,0 | 108,0 |
| 7301 0530 | MTP RW 6.13 +VA | ✓ | 1400 | 13,0 | 3,4 | 190 | 2755 | 19,0 | 50 | 400 - 3 | 6,0 | 47,0 | 103,6 |
| 7301 0531 | MTP RW 6.15 +VA | ✓ | 1400 | 15,0 | 4,0 | 170 | 2465 | 17,0 | 50 | 400 - 3 | 6,0 | 47,0 | 103,6 |
| 7301 0532 | MTP RW 8.15 +VA | ✓ | 1400 | 15,0 | 4,0 | 210 | 3045 | 21,0 | 50 | 400 - 3 | 8,0 | 48,0 | 105,8 |
| 7301 0533 | MTP RW 8.21 +VA | ✓ | 1400 | 21,0 | 5,6 | 160 | 2320 | 16,0 | 50 | 400 - 3 | 8,0 | 48,0 | 105,8 |
| 7301 0534 | MTP RW 9.15 +VA | ✓ | 1400 | 15,0 | 4,0 | 230 | 3335 | 23,0 | 50 | 400 - 3 | 9,0 | 49,0 | 108,0 |
| 7301 0535 | MTP RW 9.21 +VA | ✓ | 1400 | 21,0 | 5,6 | 180 | 2610 | 18,0 | 50 | 400 - 3 | 9,0 | 49,0 | 108,0 |
| 7301 0630 | MTP RW 10.21 +VA | ✓ | 1400 | 21,0 | 5,6 | 200 | 2900 | 20,0 | 50 | 400 - 3 | 10,0 | 50,0 | 110,2 |